

# WiFi KIT

## Specifications:

Operating Voltage. 5-15 VDC

Current. 150mA(Max.), 50mA(standard)

Range. 10 to 30 Meters

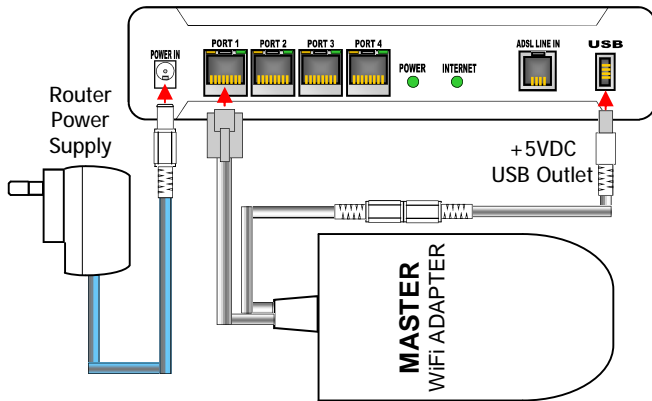


## Setup:

The WiFi kit comes with two pre-programmed wireless adapters, one master and one slave.

The Master Adapter connects to the source of the Internet or controlling device and the Slave Adapter connects to the device requiring Internet or being controlled.

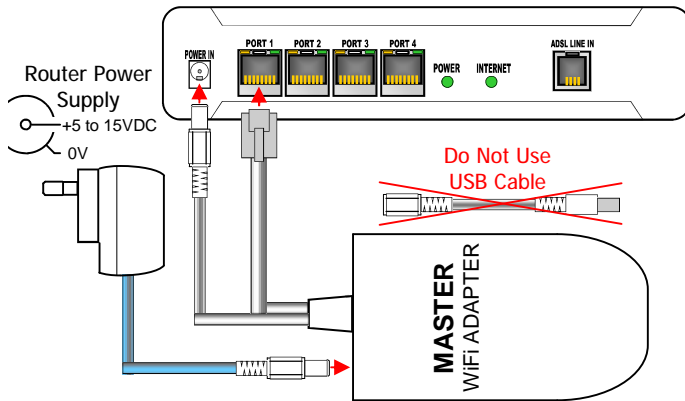
### Master Connection Option 1: USB



If the Router has a USB port you can use this to power the Master WiFi Adapter, Simply plug it in.



### Master Connection Option 2: Piggyback



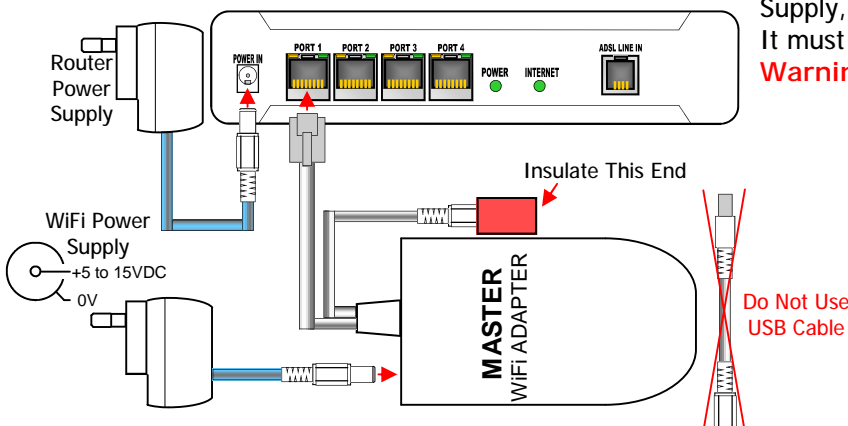
If the Router is powered using a 5 to 15VDC power supply with 2.1mm DC plug (positive centre)

Then that can be plugged into the Master WiFi Adapter First, then the Adapters DC plug can be plugged in to the Router.

**Warning: Do Not Plug In the USB Connector in this option.**



### Master Connection Option 3: Separate PSU



If the Router has neither a USB port or compatible Power Supply, a separate Power Supply is required.

It must be 5 to 15VDC with 2.1mm DC plug (positive centre)

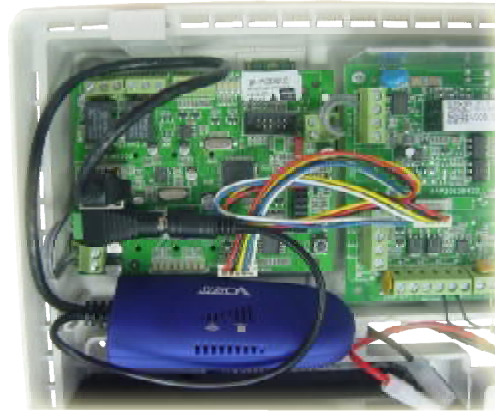
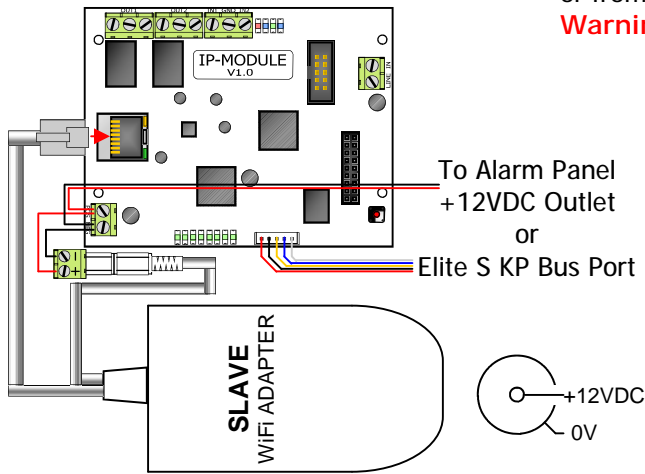
**Warning: Do Not Plug In the USB Connector.**



### Slave Connection Option 1: IP-MODULE

The Slave WiFi Adapter can be powered directly off the Alarm system, or from the IP-Modules pass through Terminal as shown.

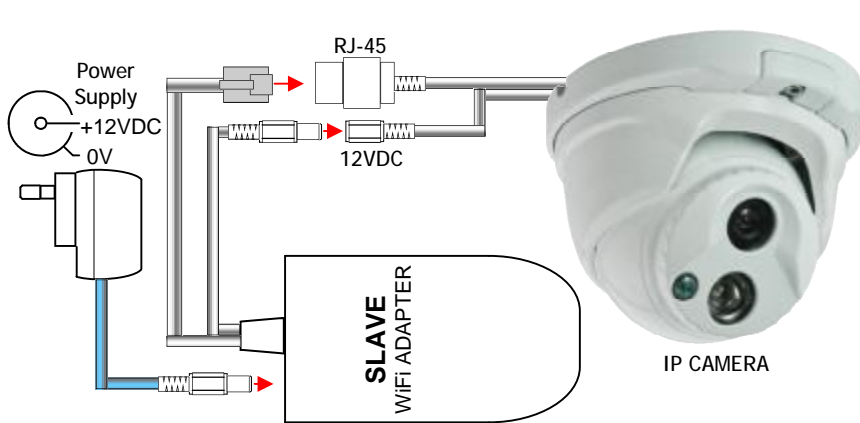
**Warning:** Double check the Polarity is correct before applying power.



### Slave Connection Option 2: IP Camera

The Slave WiFi Adapter can be placed inline with a power supply for an IP Camera.

**Warning:** Double check the Polarity is correct before applying power.



### Master Connection Option 4: Adding an IP Camera

Plugging the Master Wifi Adapter into a NVR Camera Port will allow the Slave Wifi Adapter (as shown above) to be found by the NVR. For Master connect as shown below



### Slave Connection Option 3: Internet to NVR/DVR

Your NVR or DVR could also use the Slave Adapter to gain access to the Internet or other computers, providing the Master Adapter is connected to the Router as shown in page 1.

For Slave connect into the DVR/NVR's LAN port (not camera ports)

**Signal Strength:** A Fast flashing Blue Light on the Slave Adapter indicates good signal strength.

A Slow flashing Blue Light on the Slave Adapter indicates bad strength and the adapter should be moved.

**Operation:** After both Adapters have been connected and powered up, expect an online delay of up to 60 seconds.

A Green Light will start flashing when either adapter can identify a network device connected to it.

**Identification:** The Adapters are pre-programmed in pairs, a Master and a Slave. You will know they are a matched pair because their serial numbers will sequentially follow each other, starting with the Master.

i.e. Master=295213 Slave=295214 Correct. Master=295215 Slave=295238 wrong Not a Pair